



HANDILIFT

Residential Vertical Platform Lift



The Handilift can be installed indoors or outdoors, and can be portable, providing user/location flexibility. The Concord Handilift will deliver years of reliable, trouble-free service.

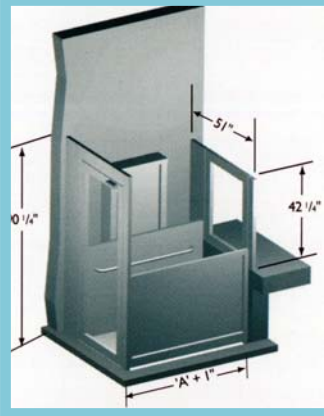
The Handilift-EN (Enclosure) model is designed for interior or exterior applications, where a modular enclosure is an economical solution to an expensive constructed hoistway. The Handilift-EN is the perfect solution to vertical accessibility in private as well as in public applications.



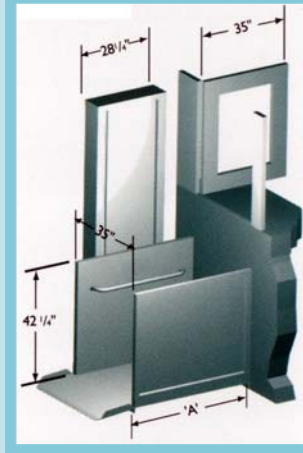
Handilift with automatic fold up ramp in an unenclosed exterior application



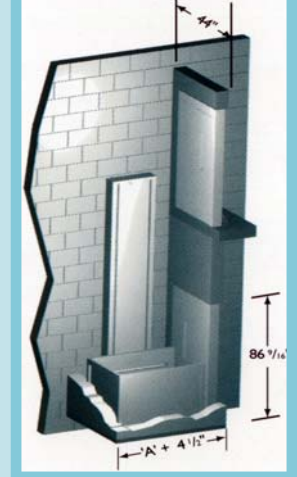
A 54" long platform provides ample space for this scooter



Handilift - 36
2 stop, 36" of travel in a hoistway, in a pit, with full bottom door and top gate



Handilift - 72
2 stop, thru cab with flip up ramp and top gate with no pit



Handilift - 144
2 stop, in a hoistway with 2 fire rated doors, on/off same side cab in a pit

HANDILIFT STANDARD FEATURES

The following features make the Handilift one of the most dependable, easy to install, and cost effective vertical wheelchair lifts today.

- Self-Lubricating Acme Screw Drive system for maintenance free operation
- Rigid extruded aluminium cab with steel inserts for strength and durability
- Automatic flip-up ramp or permanent ramp for increased safety
- Cab handrail for added safety and convenience
- Skid resistant flooring
- All parts individually painted with an electrostatic, powder coated baked-on enamel finish for long lasting durability and appearance

OPTIONS

- Exterior package with water-resistant switches and buttons, weather stripping, and aluminium underpan
- Call/Send controls at landings allow attendant control and also enables the lift to be "called" or "sent" to another landing
- Under Platform Obstruction Sensors for added safety
- A variety of doors, fire doors and gates are available to suit any application
- Domed or sloped roofs available on the EN model
- Optional colors in electrostatic, powder coated baked-on enamel finish for long lasting durability and appearance

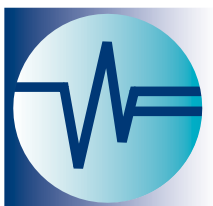
All Models	MAXIMUM LIFTING HEIGHT	
	Inches	(mm)
Handilift 36	36	914
Handilift 48	48	1220
Handilift 72	72	1830
Handilift 96	96	2440
Handilift 120	120	3050
Handilift 144	144	3660



Handilift with top gate and steel inserts



Handilift Top Gate with steel insert



WRIGHT & FILIPPIS
SM

For more information, please contact the Lifts, Elevators & Ramps Department
(800) 482-0222 or (248) 829-8214

www.FirstToServe.com

These and other barrier-free services are available throughout the entire state of Michigan.